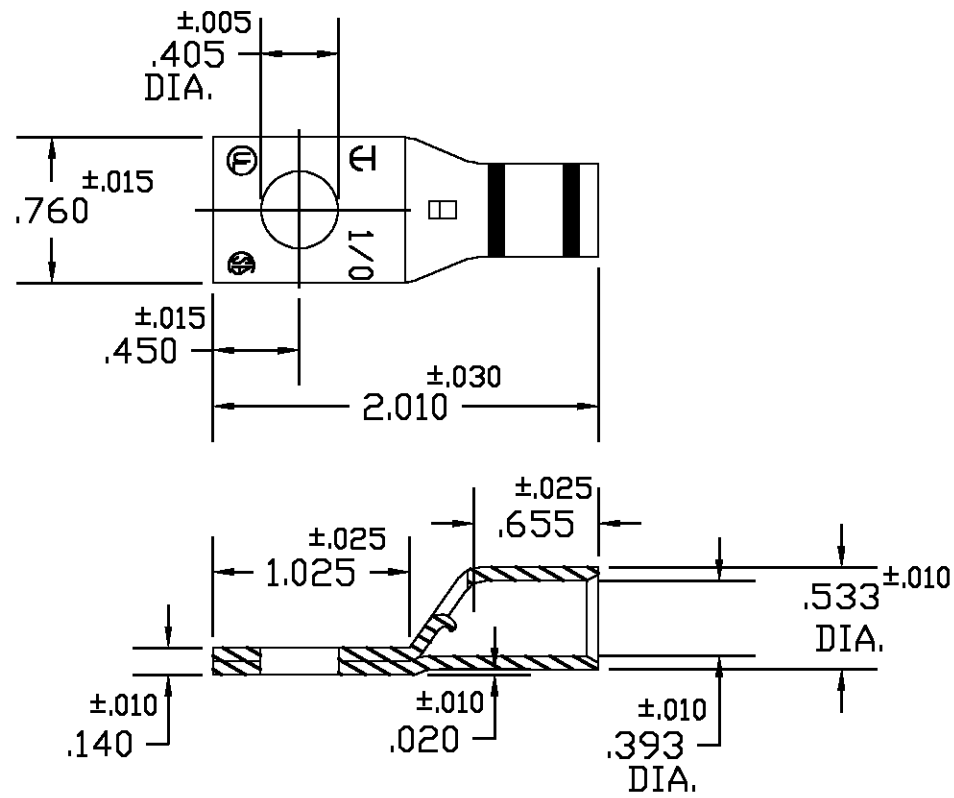


THIS DRAWING IS UNPUBLISHED. RELEASED FOR PUBLICATION
 © COPYRIGHT BY TYCO ELECTRONICS CORPORATION. ALL RIGHTS RESERVED.

LOC	DIST	REVISIONS					
		P	LTR	DESCRIPTION	DATE	DWN	APVD
G	50		A	REV PER 0G3H-0045-04	16FEB04	JR	MS



COLOR CODED PINK

ACTIVE	10387	STANDARD	COLOR CODED	1527231-3
STATUS	AET P/N	PACKAGING	FINISH	PART NUMBER

THIS DRAWING IS A CONTROLLED DOCUMENT.		DWN D.A.A	11/15/00	Tyco Electronics Corporation Harrisburg, PA 17105-3608	
DIMENSIONS: INCHES		CHK H.D.F	11/15/00		
		APVD H.D.F	11/15/00	NAME TUBULAR TERMINAL #1/0 STD. BARREL	
TOLERANCES UNLESS OTHERWISE SPECIFIED:		PRODUCT SPEC		APPLICATION SPEC	
0 PLC ± - 1 PLC ± - 2 PLC ± - 3 PLC ± - 4 PLC ± - ANGLES ± -		WEIGHT		SIZE	CAGE CODE
MATERIAL COPPER ASTM B-75		FINISH		DRAWING NO	
		CUSTOMER DRAWING		A3	00779
		SCALE		RESTRICTED TO	
		1:1		-	
		SHEET		REV	
		1 OF 1		A	